

GENERAL FEATURE

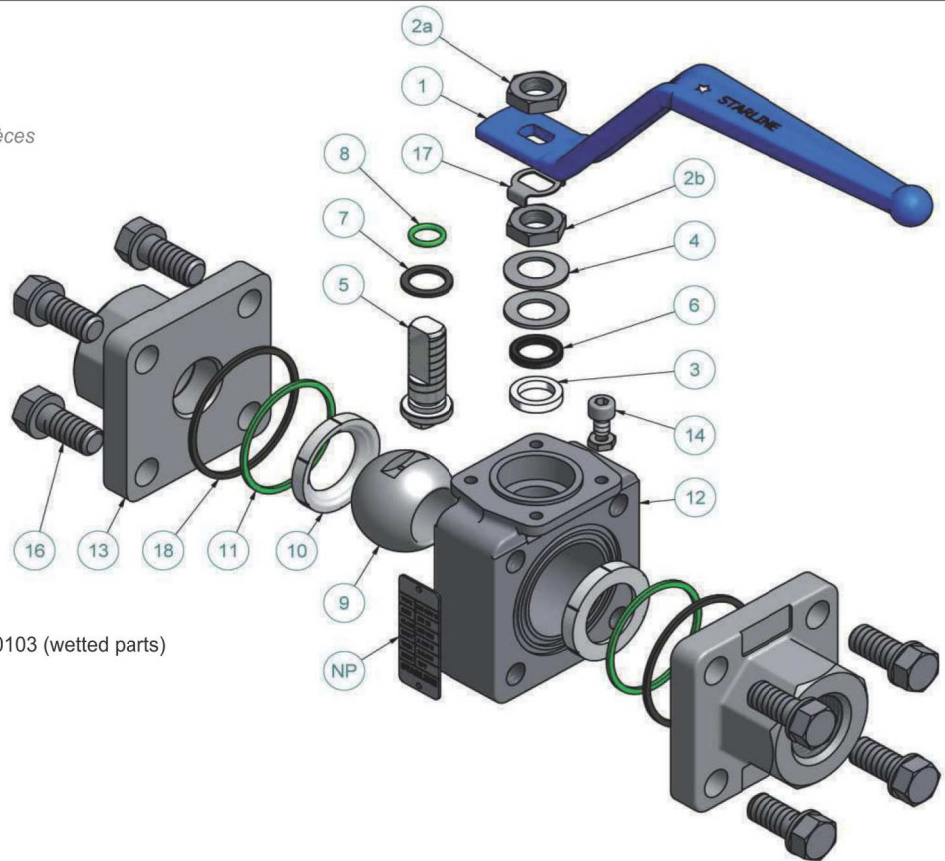
Floating ball / Boisseau flottant
 3 pieces Construction / Construction 3 pièces
 Full bore / Passage intégral
 Soft seat / Siège souple
 Bidirectional
 TA-LUFT
 Anti Blow out proof stem
 Autoadjustable packing
 Anti static device
 Self-cavity relief

STANDARDS

Marking : MSS SP25
 Top flange ISO 5211
 Testing API 598, Rate A
 Design : selon B16-34
 NPT Connections : ASME B1.20.1
 BSPP Connections : ISO 228/1
 BSPT Connections : ISO 7/1
 MATERIAL : ASTM and NACE MR0175-0103 (wetted parts)

OFFICIAL APPROVALS

FIRE SAFE
 ISO 15848 RATE B
 ATEX IM2 / II 2 GD
 PED Module H CAT III
 SIL 3
 EN 161/EN 264



| ITEM NO | QTY | PART NAME | NOMENCLATURE | CARBON STEEL MATERIAL 135 SGSG-CL150-800 | STAINLESS STEEL MATERIAL 136 SGSG-CL150-800 |
|---------|--------------------|-----------------|-------------------------|---|--|
| NP | 1 | Name plate | Plaque d'identification | AISI 316 | AISI 316 |
| 1 | 1 | Handle | Levier | Carbon steel + Epoxy coated | Carbon steel + Epoxy coated |
| 2a | 2 | Handle nut | Ecrou levier | AISI 316 | AISI 316 |
| 2b | | | | | |
| 3 | 1 | Packing ring | Garniture | Graphite | Graphite |
| 4 | 2 | Spring washers | Rondelle ressort | AISI 316 Treated | AISI 316 Treated |
| 5 | 1 | Antistatic stem | Tige antistatique | AISI 316/316L Dual Certified | AISI 316/316L Dual Certified |
| 6 | 1 ^{Note1} | Gland packing | Fouloir | AISI 316 | AISI 316 |
| 7 | 1 | Thrust washer | Rondelle butée | PTFE | PTFE |
| 8 | 1 | "O" ring stem | Joint torique | Viton | Viton |
| 9 | 1 | Ball | Sphère | AISI 316/316L Dual Certified | AISI 316/316L Dual Certified |
| 10 | 2 | Seats | Sièges | "RPTFE" | "RPTFE" |
| 11 | 2 | 1° Body seals | 1° Joint de corps | "RPTFE" | "RPTFE" |
| 12 | 1 | Body | Corps | LF2 | AISI 316/316L Dual Certified |
| 13 | 2 | End connections | Embout | LF2 | AISI 316/316L Dual Certified |
| 14 | 1 | Stop-pin | Butée | AISI 316 | AISI 316 |
| 16 | 8 | Bolts | Vis | L7 + Zinc Plated | B8 |
| 17 | 1 | Stop washer | Rondelle frein | AISI 316 | AISI 316 |
| 18 | 2 | 2° Body seals | 2° Joint de corps | Graphite | Graphite |

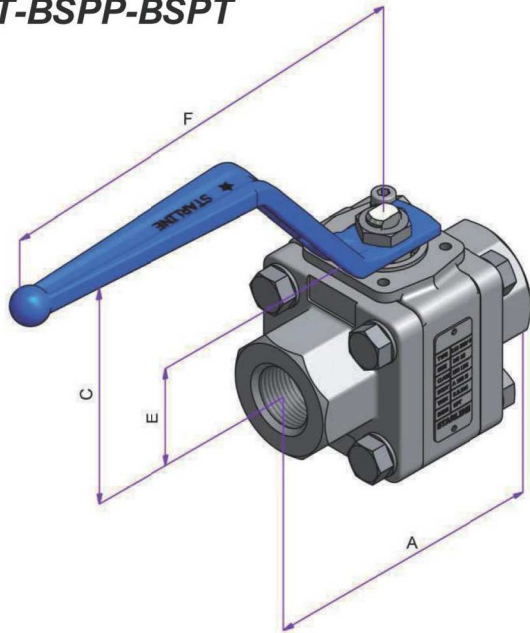
Note 1: Qty 2 for DN 20 - 3/4"

MASTER STAR N°3
FLOATING BALL VALVE

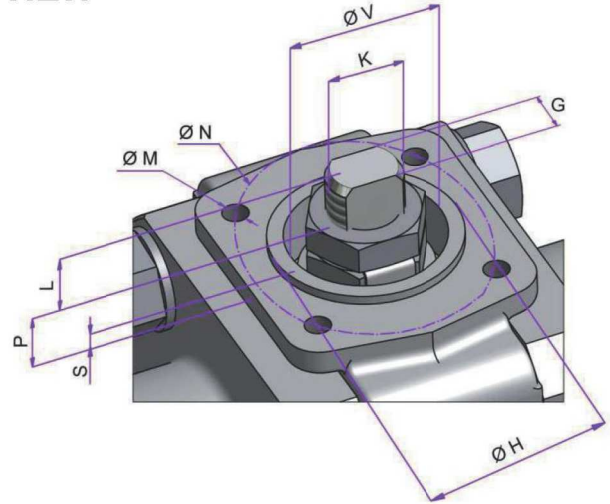
CLASS 150+800 - DN08+40 FB - 1/4"+1.1/2" FB
Fig: 135SGS /136SGS

RACCORDEMENT **A VISSER**
SCREWED ENDS

NPT-BSPP-BSPT



TOP VIEW

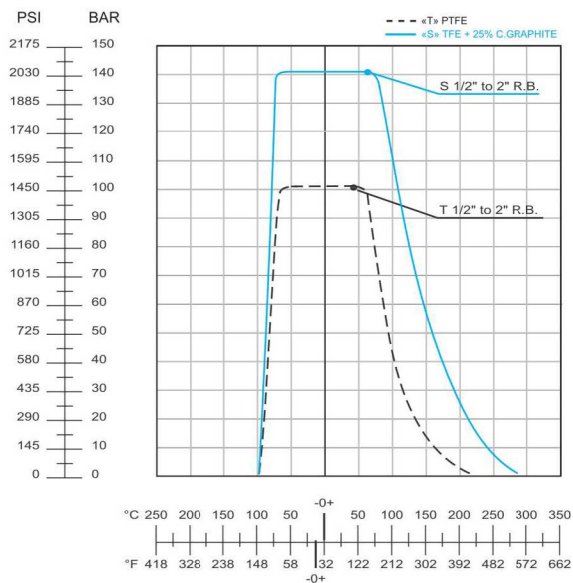


| FULL BORE | | | | | | | TOP MOUNTING | | | | | | | | | | ISO 5211 | TORQUE [N.m] | MAST [N.m] |
|-----------------|---------|-------------------|------|-----|------|-------|---------------|-------------------|-----|-----|----|----------|-----|----|----|-------|----------|--------------|------------|
| VALVE SIZE | | DIMENSIONS [mm] | | | | | WEIGHT [kg] | DIMENSIONS [mm] | | | | | | | | | | | |
| NPS | DN | A | BORE | C | E | F | NPT-BSPP-BSPT | L | P | S | V | K | G | H | N | M | | | |
| 1/4" x 1/4" | 08 x 08 | 75 | 11.1 | 79 | 30.5 | 144 | 1 | 3.6 | 5.4 | 1.5 | 21 | M10x1 | 5.5 | 25 | 36 | M5x8 | F03 | 10 | 65 |
| 3/8" x 3/8" | 10 x 10 | 78 | 11.1 | 79 | 30.5 | 144 | 1 | 3.6 | 5.4 | 1.5 | 21 | M10x1 | 5.5 | 25 | 36 | M5x8 | F03 | 10 | 65 |
| 1/2" x 1/2" | 15 x 15 | 80 | 14.2 | 81 | 32.5 | 144 | 1.2 | 3.6 | 5.9 | 1.5 | 21 | M10x1 | 5.5 | 25 | 36 | M5x8 | F03 | 14 | 65 |
| 3/4" x 3/4" | 20 x 20 | 100 | 20.5 | 98 | 39 | 172.5 | 2.3 | 9 | 5 | 1.5 | 25 | M12x1.25 | 7.5 | 30 | 42 | M5x8 | F04 | 23 | 100 |
| 1" x 1" | 25 x 25 | 110 | 25.4 | 100 | 38 | 172.5 | 3.2 | 10 | 10 | 1.5 | 25 | M12x1.25 | 7.5 | 30 | 42 | M5x8 | F04 | 27 | 100 |
| 1.1/4" x 1.1/4" | 32 x 32 | 120 | 31.7 | 110 | 43.5 | 218 | 4.5 | 13 | 14 | 1.5 | 30 | M15x1.5 | 8.9 | 35 | 50 | M6x10 | F05 | 32 | 180 |
| 1.1/2" x 1.1/2" | 40 x 40 | 140 | 38 | 112 | 47.5 | 218 | 5.3 | 14 | 14 | 1.5 | 30 | M15x1.5 | 8.9 | 35 | 50 | M6x10 | F05 | 37 | 180 |

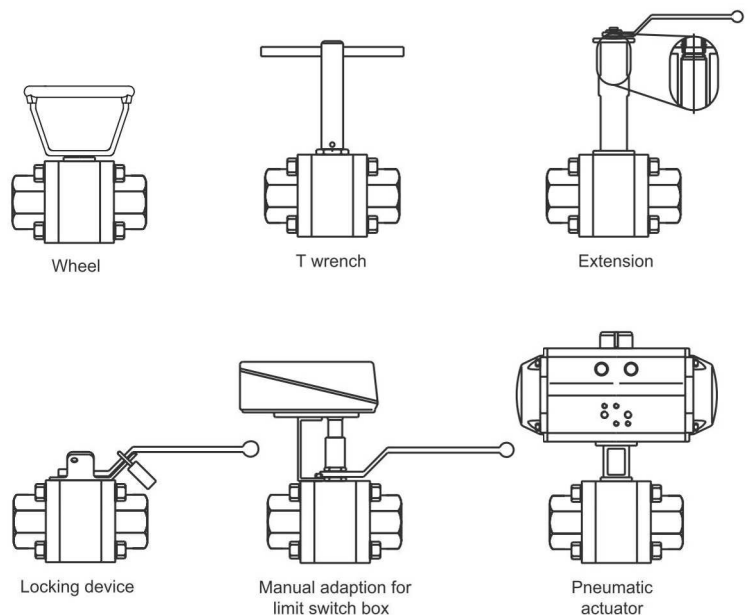
- Net torque mesured with clean water at ambient temperature

- Mast for AISI 316 material

PRESSURE/TEMPERATURE LIMITATION OF SEAT SEAL (according working conditions)



DIFFERENT CONFIGURATIONS (others on request)



ref n° DS1010 Rev0 (datas not contractual)